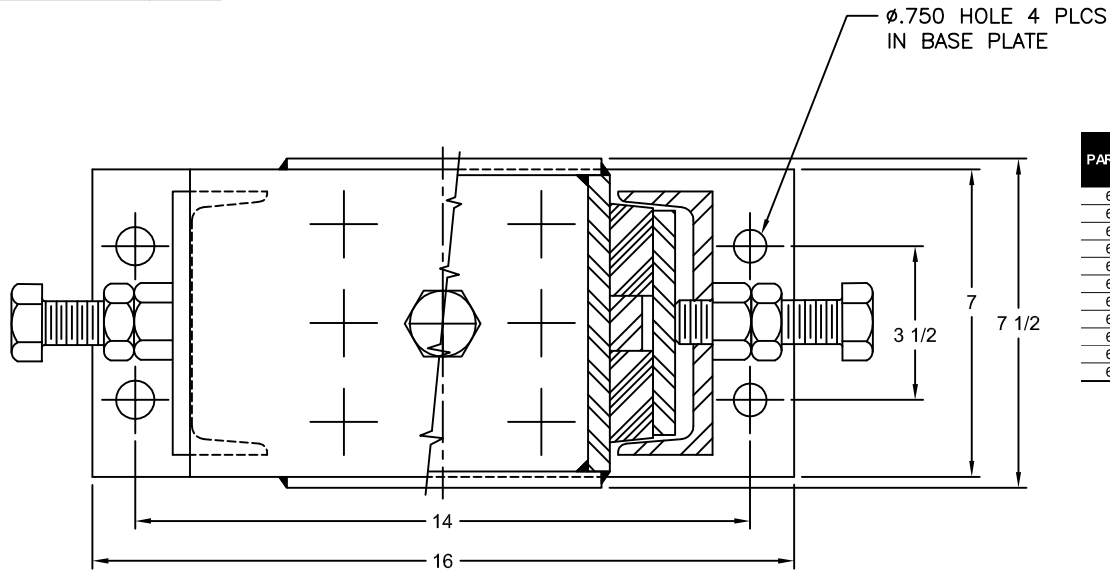


123R-103926 REV.: 1

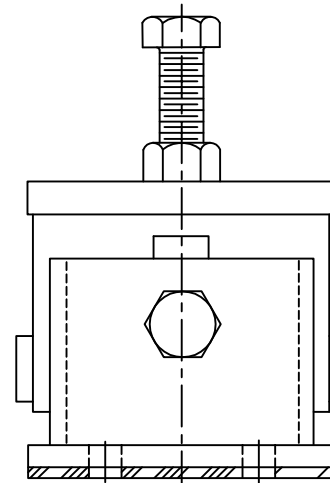
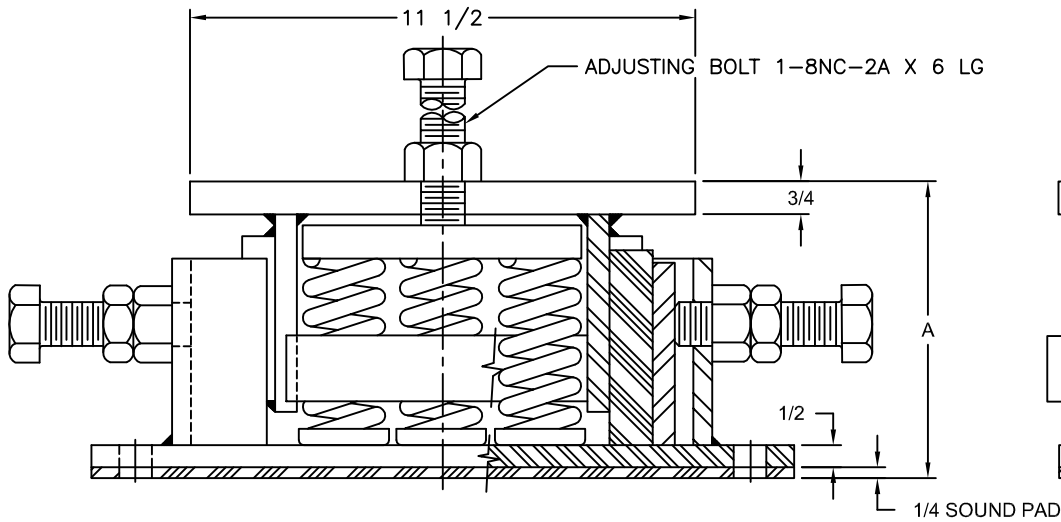
REV.	DESCRIPTION	DATE	BY



PART NUMBER	ISOLATOR MODEL	MAX. STEADY (LBS)	MAX. IMPACT (LBS)	ISOLATOR CONSTANT (LBS)	MIN. FREE HEIGHT	COLOR CODE
607002-51	SKGY-51	1125	△	563	7	ORANGE
607002-52	SKGY-52	1800	△	1080		BROWN
607002-53	SKGY-53	2700	△	1710		BLACK
607002-54	SKGY-54	4500	△	3105		GREEN
607002-55	SKGY-55	6300	△	5040		BLUE
607002-56	SKGY-56	10,800	△	14850		PURPLE
607002-45	SKGY-45	2925	2340	3960	6 3/4	BROWN
607002-46	SKGY-46	4000	3200	7200		RED
607002-47	SKGY-47	5400	4320	11025		PURPLE
607002-57	SKGY-57	9900	7425	19160		BLUE
607002-68	SKGY-68	11700	11025	23850	GREEN	

NOTES:

- △ CURRENTLY UNDER ENGINEERING REVIEW.
- ALL DIMENSIONS IN INCHES. INTERPRET PER ANSI Y14.
- STANDARD FINISH:
 - A. ONE COAT STANDARD VMC COLOR
 - B. SPRING: POWDER COATED
 - C. HARDWARE: ELECTRO-ZINC PLATED



OTHER MATERIALS, COMPOUNDS, OR FINISHES WITH EQUAL OR SUPERIOR PROPERTIES MAY BE SUBSTITUTED AS THEY BECOME AVAILABLE.

CERTIFIED FOR:

JOB NAME: _____
 CUSTOMER : _____
 CUSTOMER P.O.: _____
 SALES ORDER: _____

MODEL SKGY 1125-11700 LBS.SPRING ISOLATOR WITH ADJUSTABLE SNUBBER



THE VMC GROUP
The Power of Together
 Bloomingdale, NJ 07403
 Houston, TX 77041

SCALE :

NONE

SHEET:



DRAWING NO.:

REVISION